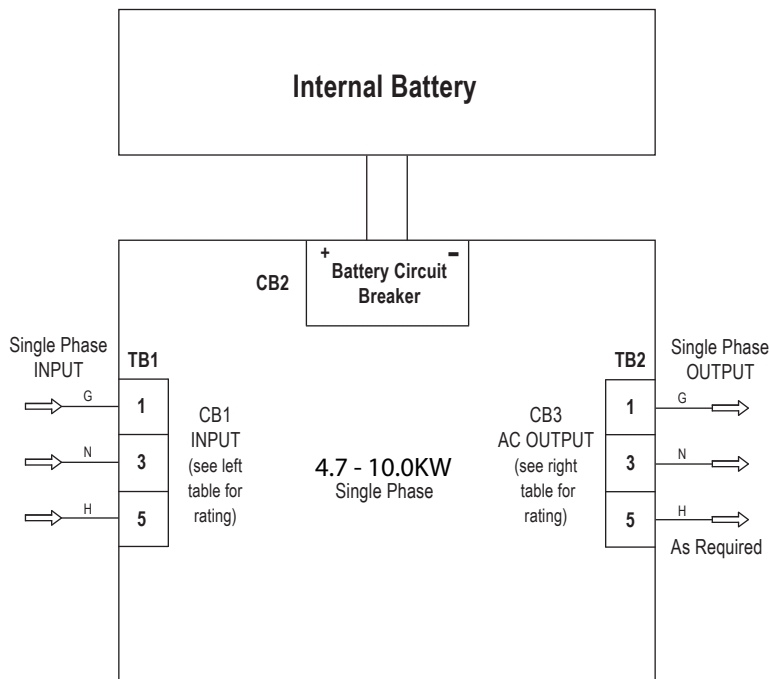


# Phoenix Plus Series

Integration

## Single Phase: 4.7 - 10KW

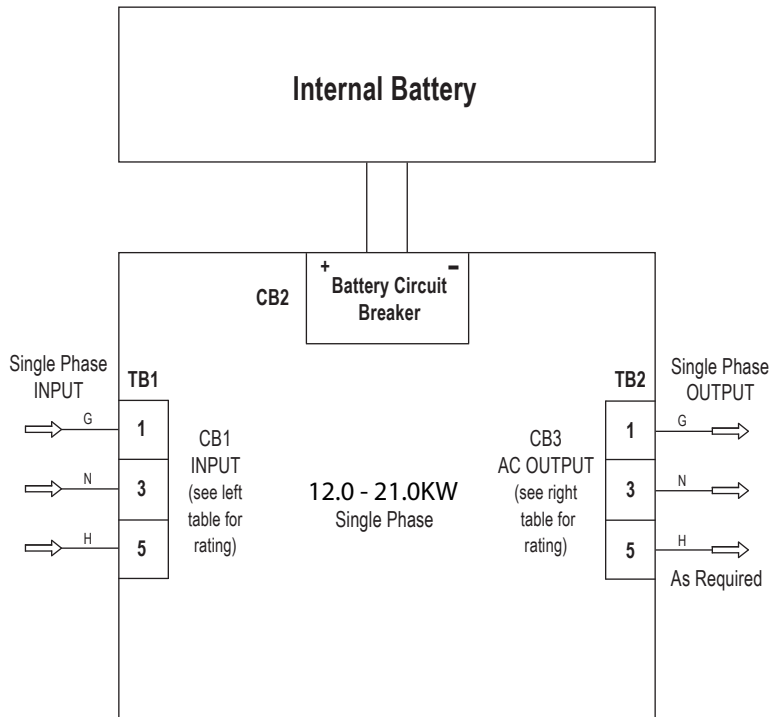
KW	Input Voltage	Utility Feed Amps
4.7	120	68.6
	208	39.6
	240	34.3
	277	29.7
	480	17.1
5.25	120	76.6
	208	44.2
	240	38.3
	277	33.2
7.0	120	102
	208	59
	240	51
	277	44.3
8.0	120	116.7
	208	67.3
	240	58.4
	277	50.6
10.0	120	146
	208	84.2
	240	73
	277	63.2
	480	36.5



KW	Output Voltage	Max Output Amps
4.7	120	39.2
	277	17
	480	9.8
	120/240*	39.2/19.6
	120/277*	39.2/17
5.25	120	43.8
	277	19
	480	10.9
	120/240*	43.8/21.9
7.0	120/277*	43.8/19
	120	58.4
	277	25.3
	480	14.6
8.0	120/240*	58.4/29.2
	120/277*	58.4/25.3
	120	66.7
	277	29
10.0	480	16.7
	120/240*	66.7/33.4
	120/277*	66.7/29
	120	83.4
10.0	277	36
	480	20.8
	120/240*	83.4/41.7
	120/277*	83.4/36

## Single Phase: 12 - 21KW

KW	Input Voltage	Utility Feed Amps
12.0	120	175
	208	101
	240	87.5
	277	76
	480	43.8
14.0	120	204.2
	208	118
	240	102
	277	88.5
18.0	480	51
	120	262.5
	208	151.5
	240	131.5
21.0	277	113.8
	480	65.6
	120	306.3
	208	176.7
21.0	240	153
	277	132.7
	480	76.6



KW	Output Voltage	Max Output Amps
12.0	120	100
	277	43.4
	480	25
	120/240*	100/50
	120/277*	100/43.4
14.0	120	116.7
	277	50.6
	480	29.2
	120/240*	116.7/58.4
18.0	120/277*	116.7/50.6
	120	150
	277	65
	480	37.5
21.0	120/240*	150/75
	120/277*	150/65
	120	175
	277	75.8
21.0	480	43.8
	120/240*	175/87.5
	120/277*	175/75.8